

Preparation

**Part Number: PT939-35190 (Short Bed)**

**Kit Contents**

Item #	Quantity Req.	Description
1	1	BedRug Floor/Tailgate Assy
2	1	BedRug Bulkhead/Sidewall Assy
3	1	Hardware Kit

**Hardware Bag Contents**

Item #	Quantity Req.	Description
1		
2		

**Additional Items Required For Installation**

Item #	Quantity Req.	Description
1		
2		

**Conflicts**

None
------

**Recommended Tools**

<b>Personal &amp; Vehicle Protection</b>	<b>Notes</b>
Safety Glasses	
Gloves	
<b>Special Tools</b>	<b>Notes</b>
<b>Installation Tools</b>	<b>Notes</b>
Utility Knife	Use to cut slits or trim BedRug for cargo mgmt. systems, bed acc. lights, etc
Awl	Use to locate tie down fasteners. Holes to be placed in BedRug
T30 Torx Driver	Use to remove and reinstall the Utility Box
<b>Special Chemicals</b>	<b>Notes</b>
Approved Cleaner	Rubbing Alcohol

**General Applicability**

MY19 and newer Tacoma models
------------------------------

**Recommended Sequence of Application**

Item #	Accessory
1	
2	
3	

\*Mandatory

**Vehicle Service Parts** (may be required for reassembly)

Item #	Quantity Req.	Description
1		
2		
3		

**Legend**

**STOP** **STOP:** Damage to the vehicle may occur. Do not proceed until process has been complied with.

**+** **OPERATOR SAFETY:** Use caution to avoid risk of injury.

**!** **CAUTION:** A process that must be carefully observed in order to reduce the risk of damage to the accessory/vehicle and to ensure a quality installation.

**🔧** **TOOLS & EQUIPMENT:** Used in Figures calls out the specific tools and equipment recommended for this process.

**||** **REVISION MARK:** This mark highlights a change in installation with respect to previous issue.

**S** **SAFETY TORQUE:** This mark indicates that torque is related to safety.



Care must be taken when installing this accessory to ensure damage does not occur to the vehicle. The installation of this accessory should follow approved guidelines to ensure a quality installation.

These guidelines can be found in the "Accessory Installation Practices" document.

This document covers such items as:-

- Vehicle Protection (use of covers and blankets, cleaning chemicals, etc.).
- Safety (eye protection, rechecking torque procedure, etc.).
- Vehicle Disassembly/Reassembly (panel removal, part storage, etc.).
- Electrical Component Disassembly/Reassembly (battery disconnection, connector removal, etc.).

Please see your Toyota dealer for a copy of this document.

**1. Verify the Kit Content.**

- (a) Verify that the kit contains all the parts listed in the kit contents.



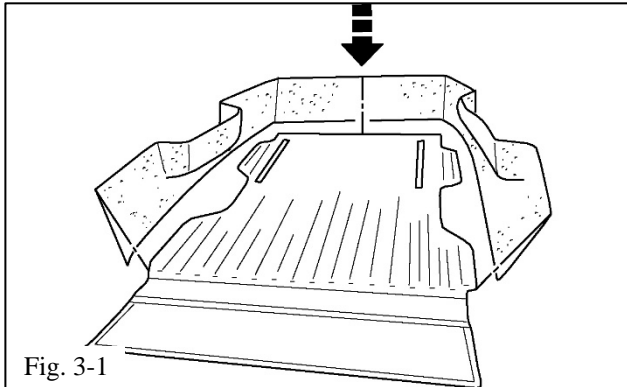
**NOTE:** Never cut or put splits through any seams or sewn areas of the BedRug, unless specifically detailed in these instructions. This will cause the seam to come completely apart.

**2. Prepare the Vehicle.**

- (a) Wash and dry the bed and tailgate areas thoroughly.



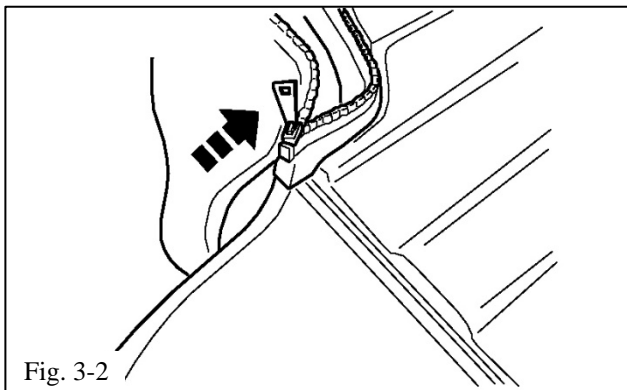
**NOTE:** Review all instructions before beginning installation. Truck bed should be at least 68°F (20°C) for maximum adhesion. Clean all areas with an approved cleaner before applying tape. Do not remove backing from any tape until ready to adhere to the truck bed. When removing backing, do not touch adhesive. Extra adhesive strips have been provided in the kit for future use or if the installer deems more fasteners are necessary for better fit/appearance.



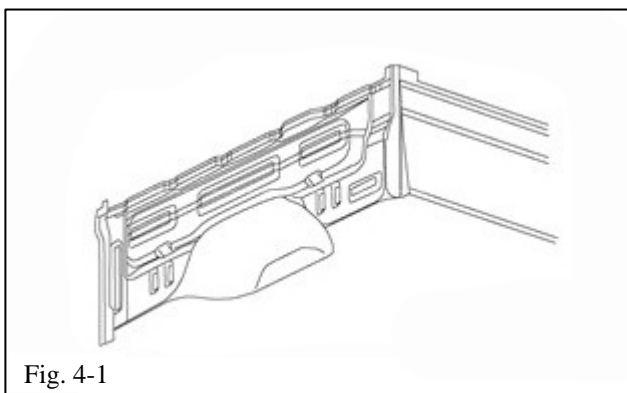
### 3. Pre-assemble the BedRug.

- (a) Align the sides of the BedRug as shown (Fig. 3-1).

**NOTE:** Ensure the BedRug floor is face down for this operation.



- (b) Once properly aligned, zip sides into place (Fig. 3-2).



### 4. Pre-fitting the BedRug.

- (a) Place the BedRug in position on the truck bed to confirm proper assembly and size (Fig. 4-1).
- (b) Remove the BedRug to complete the assembly.

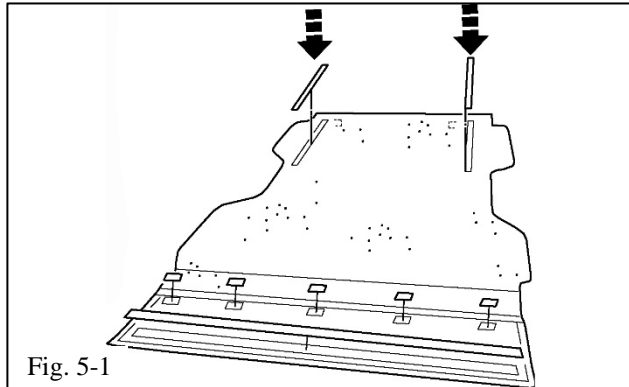


Fig. 5-1

**5. Install the Fasteners to the BedRug.**

- (a) Attach (2) 1" X 36", 1" X 2" and 1" X 60" hooks to the underside of the BedRug and tailgate. Trim 1" X 60" strip where necessary (Fig. 5-1).

**⚠ NOTE:** Do not remove the adhesive protective film at this time.

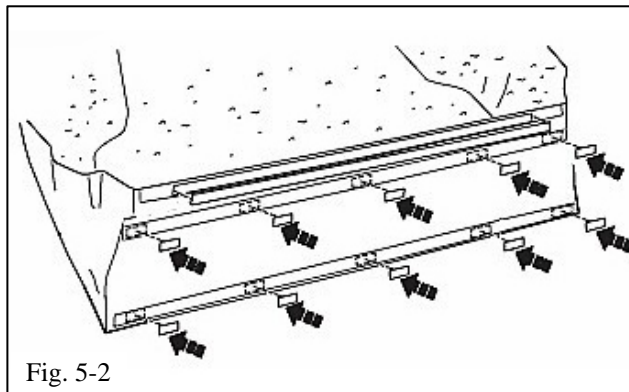


Fig. 5-2

- (b) Attach 1" X 60" and 1" X 2" hooks to the BedRug bulkhead area facing the front as shown. Trim excess from 1" X 60" strip where necessary (Fig. 5-2).

**⚠ NOTE:** Do not remove the adhesive protective film at this time.

**⚠ NOTE:** Use the locator marking on the backside of the BedRug as indicator of where to place hook fasteners. Always place the hook fasteners on the flat and raised surfaces ONLY.

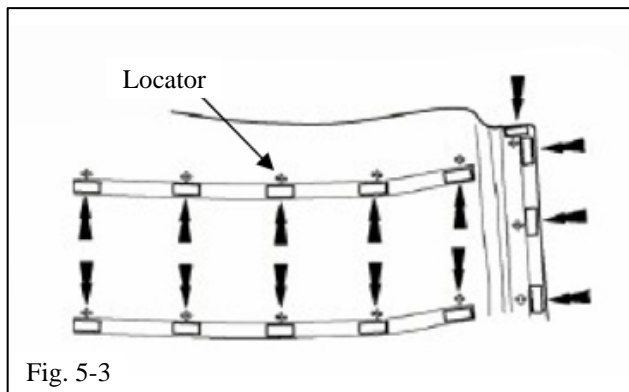


Fig. 5-3

- (c) Attach 1" X 2" fasteners to the back sides of the BedRug sidewalls as marked by locators (Fig. 5-3).

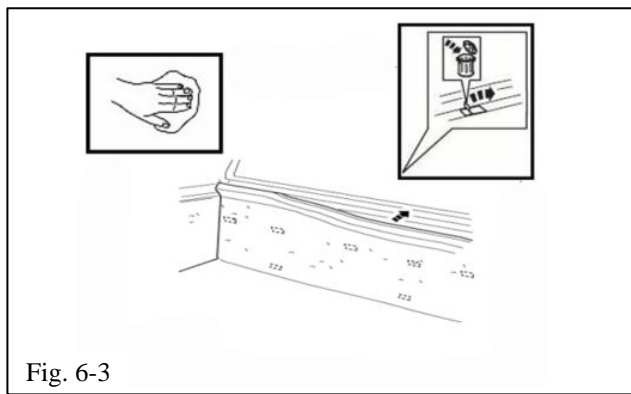
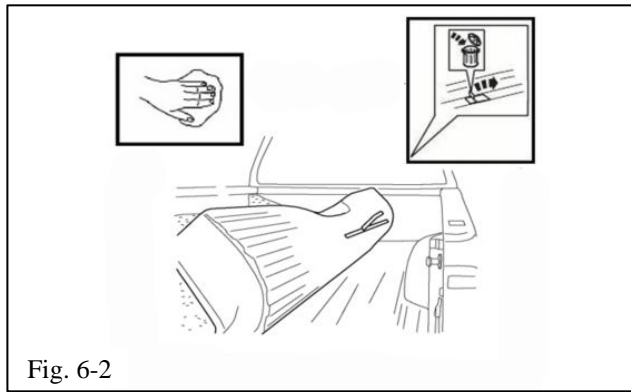
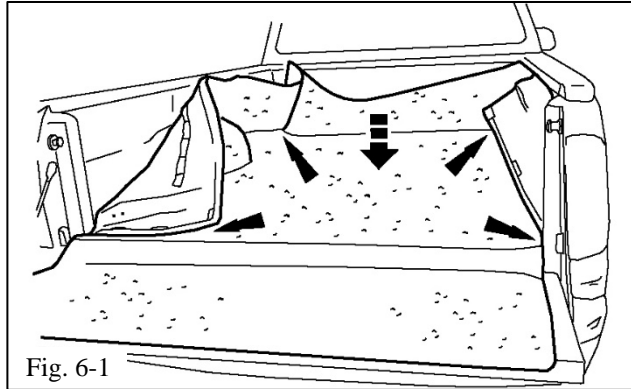
**⚠ NOTE:** Do not remove the adhesive protective film at this time.



Fig. 5-4

- (d) Use a T30 Torx driver to remove the storage box from the passenger side (Fig. 5-4).

**⚠ NOTE:** If equipped with power outlet, do NOT disconnect the harness.



**6. Install the BedRug and the Bulkhead.**

- (a) Place the BedRug in the truck bed.
- (b) Position the BedRug front to rear and left to right by aligning all edges and tucking corners into place (Fig. 6-1).
- (c) Roll the BedRug floor to you, exposing the 1"x36" fastener located on the BedRug bottom.
- (d) Remove the film (Fig. 6-2).
- (e) Roll the BedRug floor and sidewalks back in place.
- (f) Firmly press the BedRug top surface for 15 seconds to ensure adhesive attachment.
- (g) Repeat for the other side.
- (h) Fit the top edge of the BedRug bulkhead to the top edge of the body panel to determine best location. (Fig. 6-3).
- (i) Remove the film working from bottom to top and center of part outboard.
- (j) Roll the BedRug top edge back in place.
- (k) Firmly press the BedRug top surface for 15 seconds to ensure adhesive attachment.

**7. Installation Procedure for Beds with Tie-down Hooks or Optional Features.**

- (a) Cut a small slit or opening in the appropriate area allowing the equipment to protrude through the BedRug surface (This will not damage the BedRug) (Fig. 7-1).

**⚠ NOTE:** Do NOT cut through any seams or sewn lines. It is easiest to locate the fastener holes with an awl after BedRug is positioned for best fit.

**8. Install the BedRug sidewalls.**

- (a) The rear vertical edge of the BedRug should be positioned to match the D-pillar surface. Start at the front and working rearward begin removing the film from the fasteners bottom to top and from front to back. Firmly press the BedRug sidewall for 15 seconds to ensure adhesive attachment. Repeat for other side (Fig. 8-1).

- (b) Identify the scribe marks to cut out the box and bolt holes for the passenger side utility box (Fig. 8-2). Make careful cuts for the box and holes for the bolt holes. Check progress of cuts for proper alignment with holes on bed, BedRug and utility box.

- (c) Replace the storage/utility box.

- (d) If equipped with power outlet, push the entire box through the square hole in the BedRug to bring it inside the BedRug (Fig. 8-2).

**⚠ NOTE:** Do not disconnect the harness.

**⚠ NOTE:** Take care not to overtighten bolts.

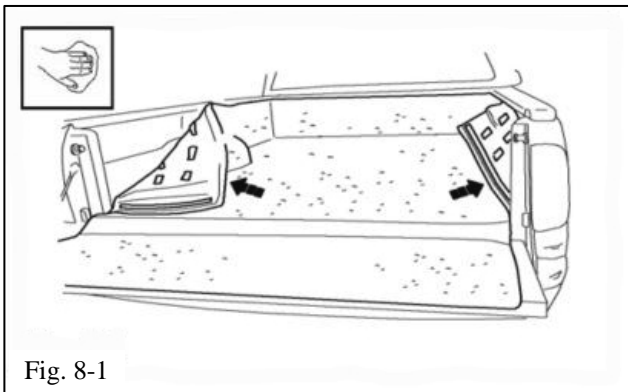
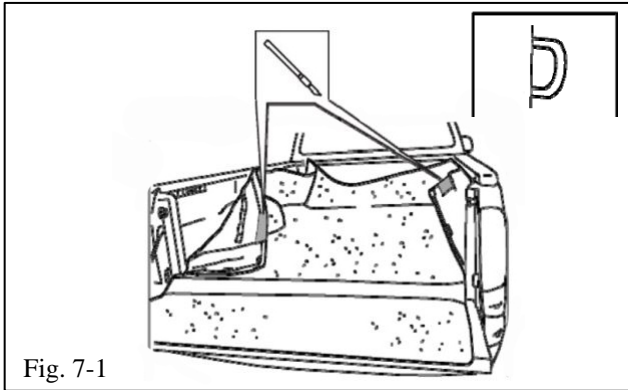




Fig. 9-1

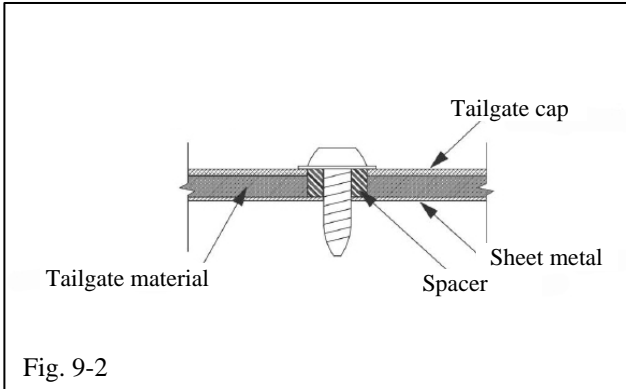


Fig. 9-2

### 9. Install the BedRug tailgate.

- (a) Remove the screws from the tailgate cap (Fig. 9-1).

**⚠ NOTE: Do not remove the cap.**

- (b) Slide the top of the BedRug tailgate section underneath the cap and align the holes with the screw holes using spacers as shown (Fig. 9-2).

- (c) Install hook fasteners on bottom edge of tailgate and remove the film.

- (1) Roll the BedRug tailgate back in place.

- (2) After installation is complete, tuck BedRug material between the tailgate and truck bed.

- (3) Reinstall the screws and hand tighten using a T30 Torx driver.

**⚠ NOTE: Take care not to overtighten bolts.**

### 10. Verify the Hook Fastener Locations.

- (a) Verify the BedRug is installed in the proper locations (Fig. 10-1).

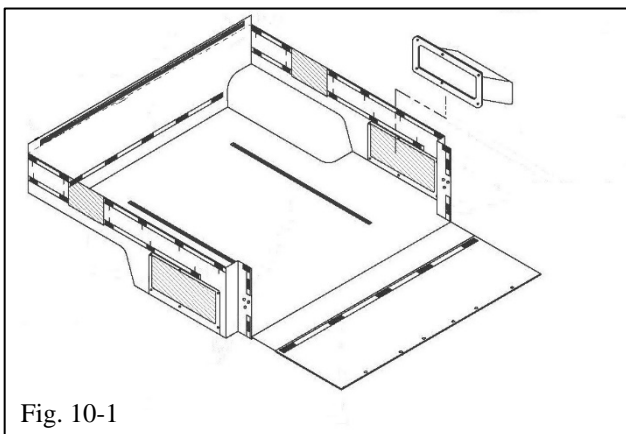


Fig. 10-1



- (b) Verify the BedRug is installed correctly as to not interfere with the Tacoma short bed RH storage box (Fig. 10-2).



Checklist - these points **MUST** be checked to ensure a quality installation.

<u>Check:</u>	<u>Look For:</u>
<p><u>Accessory Function Checks</u></p> <ul style="list-style-type: none"><li><input type="checkbox"/> Ensure BedRug is attached to bed</li><li><input type="checkbox"/></li><li><input type="checkbox"/></li><li><input type="checkbox"/></li></ul>	<p>BedRug attached to Velcro strips on all sides and secured with storage box and tailgate cover.</p>
<p><u>Vehicle Function Checks</u></p> <ul style="list-style-type: none"><li><input type="checkbox"/> Tailgate can be closed completely</li><li><input type="checkbox"/></li><li><input type="checkbox"/></li></ul>	<p>Check for no interference between closed tailgate and BedRug</p>
<p><u>Vehicle Appearance Check</u></p> <ul style="list-style-type: none"><li><input type="checkbox"/> After accessory installation and removal of protective cover(s), perform a visual inspection.</li></ul>	<p>Ensure no damage (including scuffs and scratches) was caused during the installation process.</p> <p>(For PPO installations, refer to TMS Accessory Quality Shipping Standard.)</p>